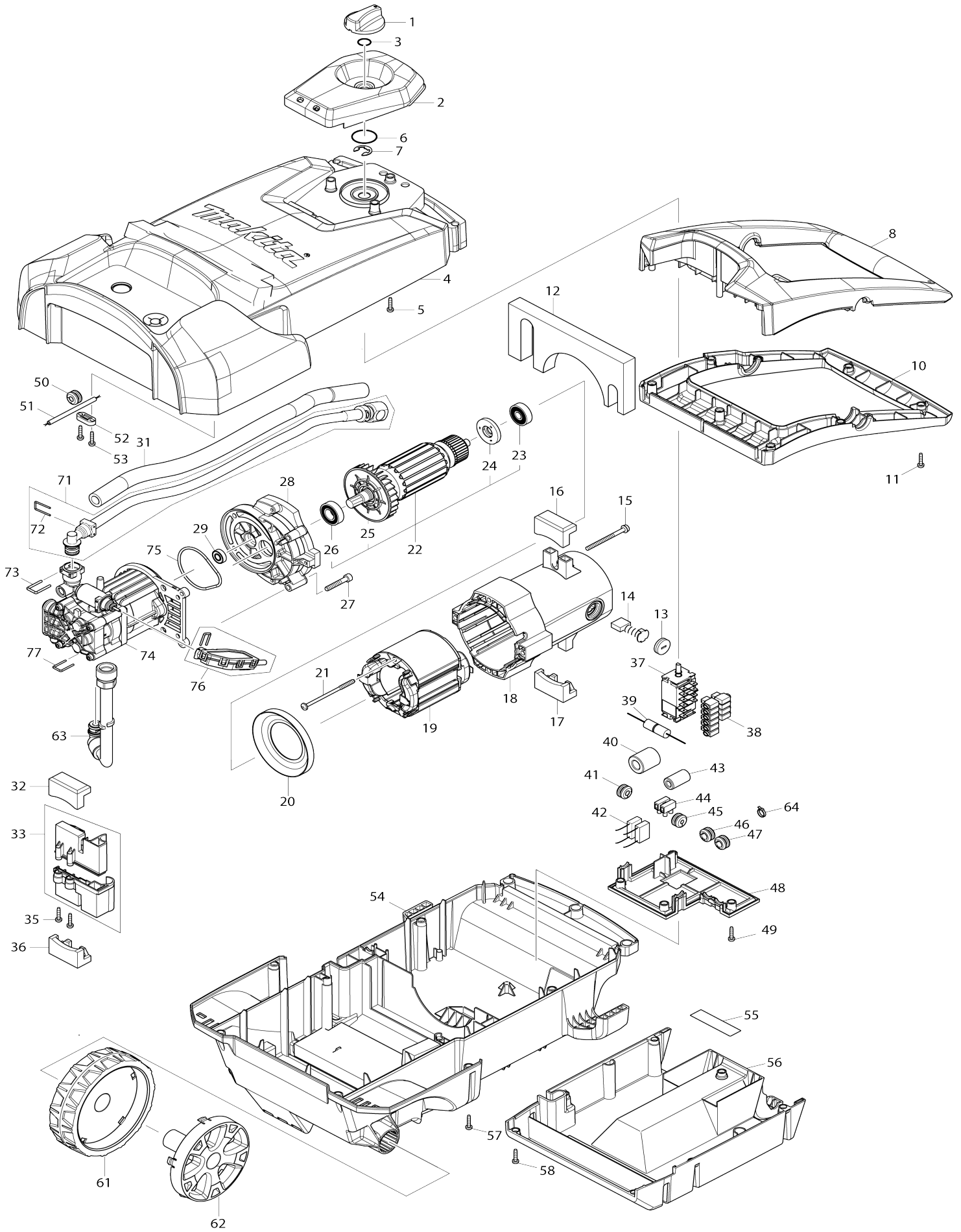
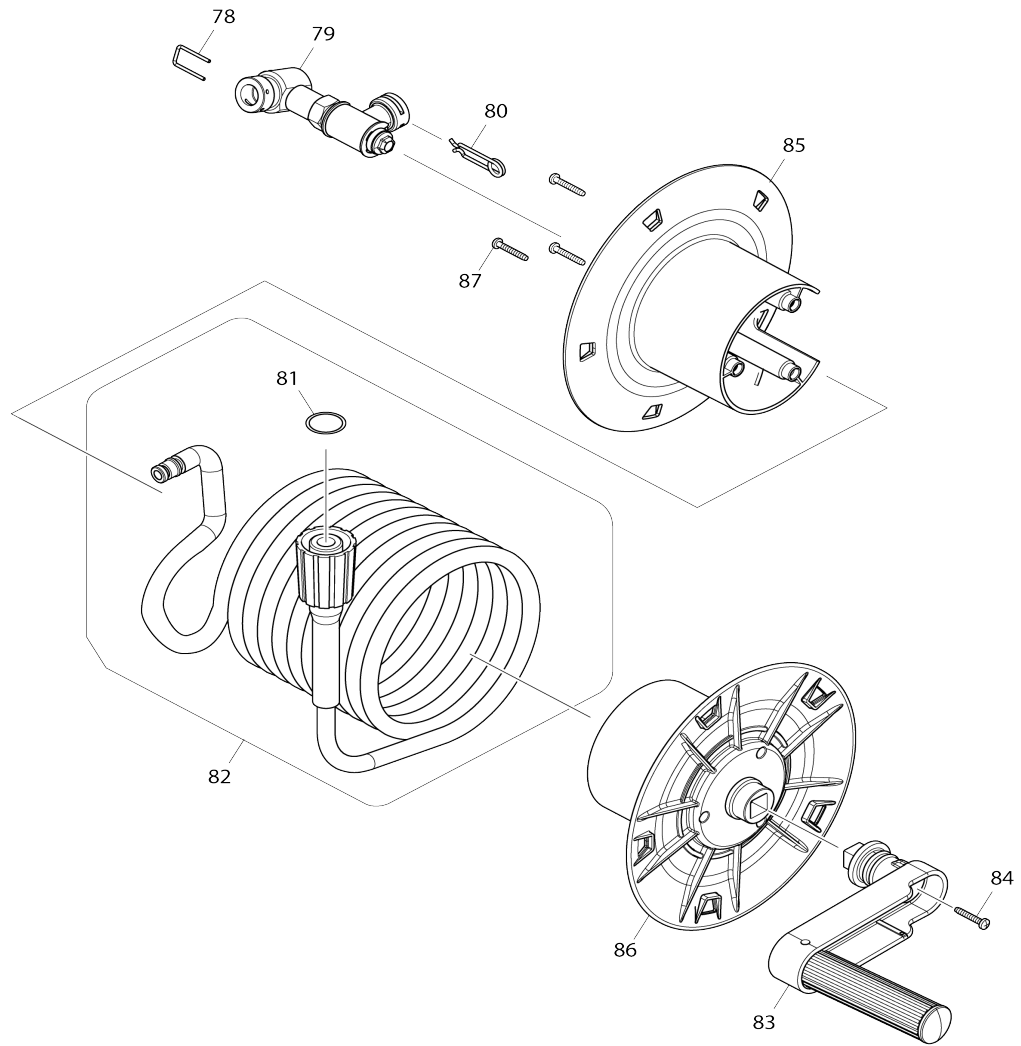


# Model No.HW1300 HIGH PRESSURE WASHER

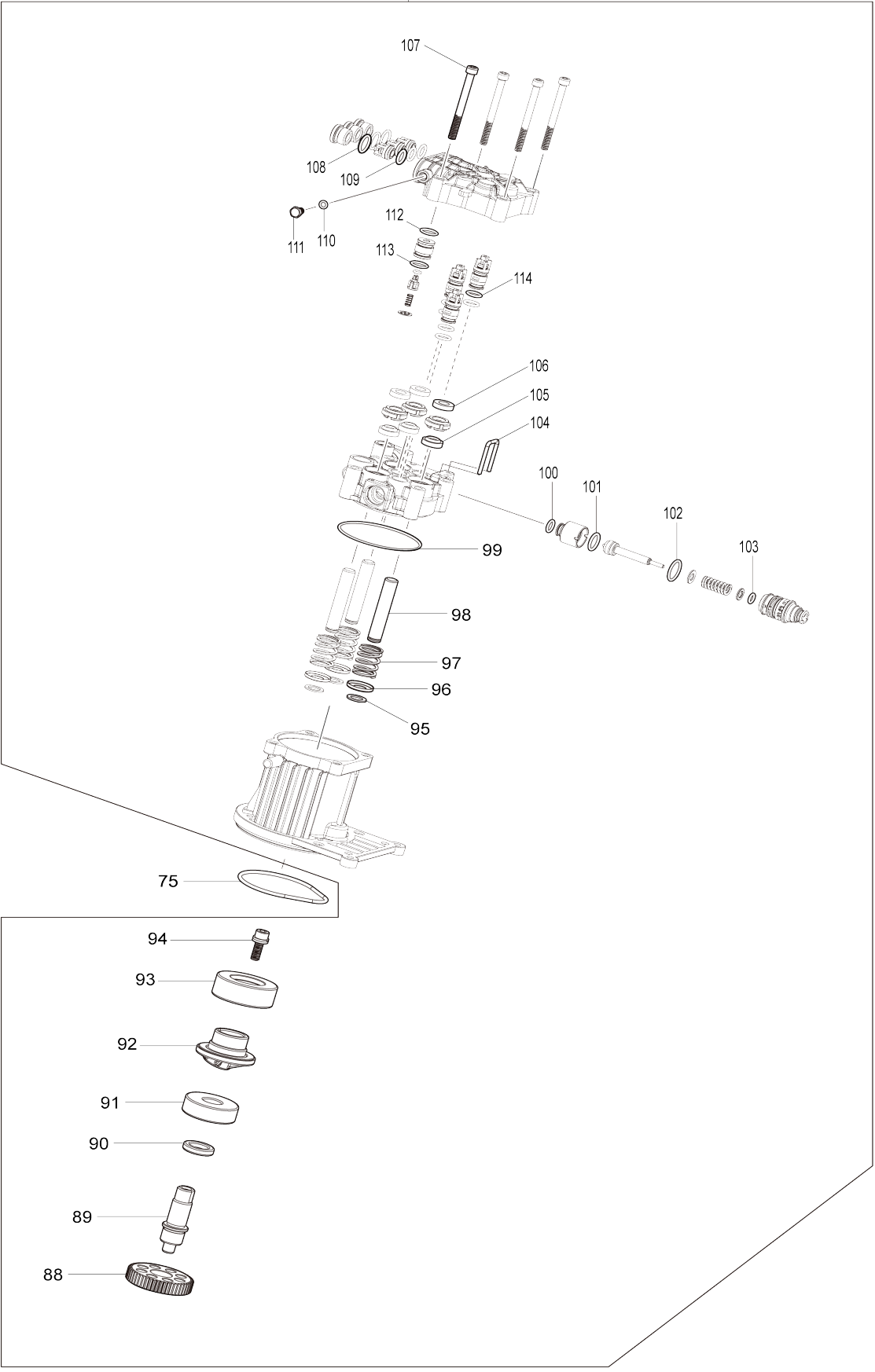


Model No.HW1300 HIGH PRESSURE WASHER



Model No.HW1300 HIGH PRESSURE WASHER

74



# Model No.HW1300 HIGH PRESSURE WASHER

Item No.	Parts No.	Description
001	456837-7	SWITCH DIAL 50
002	456844-0	FRONT COVER
003	213176-6	O RING 14
004	143814-5	FRONT HOUSING COMPLETE
005	266045-0	TAPPING SCREW 4X20
006	213412-0	O RING 29
007	961062-2	STOP RING E-12
008	456840-8	FRONT HANDLE
010	456842-4	REAR HANDLE
011	266045-0	TAPPING SCREW 4X20
012	424856-1	SCREEN SPONGE F
013	643700-5	BRUSH HOLDER CAP 7-18
014	191953-5	CARBON BRUSH CB-203
014-1	194991-6	CARBON BRUSH SET CB203
015	911288-6	PAN HEAD SCREW M5X65
016	424852-9	RUBBER CUSHION
017	424852-9	RUBBER CUSHION
018	143813-7	MOTOR HOUSING COMPLETE
C10	643712-8	BRUSH HOLDER
019	639100-5	FIELD ASSY 240V
C10	654197-3	RING TERMINAL
C20	654502-4	CONNECTOR P-2
019-1	639082-1	FIELD ASSY 240V
C10	654197-3	RING TERMINAL
C20	654502-4	CONNECTOR P-2
020	416131-9	BAFFLE PLATE
021	265A13-6	TAPPING SCREW 5X85
022	513469-4	ARMATURE ASSEMBLY 240V
022		INC. 23-26
022-1	513469-4	ARMATURE ASSEMBLY 240V
022-1		INC. 23-26
023	211067-5	BALL BEARING 6200ZZ
024	681630-2	INSULATION WASHER
025	241908-1	FAN 80
026	211236-8	BALL BEARING 6002DDW
027	266586-6	H.S.H.BOLT M6X35
028	143822-6	GEAR HOUSING COMPLETE
C10	263005-3	RUBBER PIN 6
029	211166-3	BALL BEARING 698DDW
031	424869-2	HOSE COVER
032	424852-9	RUBBER CUSHION
033	183D72-5	PUMP RETAINER SET
035	266045-0	TAPPING SCREW 4X20
036	424852-9	RUBBER CUSHION
037	650775-7	SWITCH
038	686035-1	RECEPTACLE SLEEVE
039	632G73-3	CURRENT FUSE UNIT

040	688140-0	LINE FILTER
041	682100-4	GROMMET
042	645089-7	NOISE SUPPRESSOR
043	688162-0	LINE FILTER
044	654531-7	TERMINAL BLOCK 2P
044-1	654741-6	TERMINAL BLOCK
045	682098-5	GROMMET
046	682100-4	GROMMET
047	682100-4	GROMMET
048	456833-5	SWITCH BOX COVER
049	266045-0	TAPPING SCREW 4X20
050	682100-4	GROMMET
051	665856-4	POWER SUPPLY CORD 1.0-2-5.7
052	687124-5	STRAIN RELIEF
053	266045-0	TAPPING SCREW 4X20
054	143820-0	REAR HOUSING COMPLETE
C10	809R02-9	CAUTION LABEL
055	852W26-4	HW1300 NAME PLATE
056	456838-5	REAR BOX
057	266045-0	TAPPING SCREW 4X20
058	266045-0	TAPPING SCREW 4X20
061	456835-1	WHEEL
062	456836-9	WHEEL CAP
063	123649-0	ABSORPTION JOINT
064	687010-0	BAND
071	TG00000004	HIGH-PRESSURE HOSE JOINT
072	TG00000002	U TYPE PIN 3
073	TG00000002	U TYPE PIN 3
074	TG00000001	PUMP COMPLETE
074		INC. 88-114
074-1	TG00000001	PUMP COMPLETE
074-1		INC. 88-114
074-2	TG00000063	PUMP COMPLETE SET
074-2		INC. 88-114
075	TG00000006	SEAL RING 62
076	TG00000005	PRESSURE SWITCH COMPLETE
077	TG00000003	U TYPE PIN 2
077-1	TG00000062	U TYPE PIN 2.2
078	TG00000003	U TYPE PIN 2
079	TG00000010	REEL JOINT COMPLETE
079		INC. 116,117,118,119,120
080	TG00000011	TORSION SPRING 8
081	TG00000008	O RING 10
081-1	TG00000058	O RING 10
082	TG00000009	HIGH-PRESSURE HOSE 10M
082		INC. 81,115
082-1	TG00000059	HIGH-PRESSURE HOSE 10M
082-1		INC. 81,115
083	TG00000013	REEL HANDLE COMPLETE
083-1	TG00000023	REEL HANDLE COMPLETE
084	TG00000012	SCREW 3.5X19
085	456897-9	HOSE REEL L

086	456823-8	HOSE REEL R
087	TG00000012	SCREW 3.5X19
088	TG00000025	HELICAL GEAR
088-1	TG00000025	HELICAL GEAR
089	TG00000026	SPINDLE
090	TG00000030	OIL SEAL
091	TG00000031	BALL BEARING
092	TG00000027	WOBBLE PLATE
093	TG00000028	THRUST BALL BEARING
094	TG00000029	H.S.H.BOLT
095	TG00000032	RETAINING RING
096	TG00000033	SPRING RETAINER
097	TG00000034	COMPRESSION SPRING
098	TG00000035	PISTON PIN
099	TG00000036	O-RING
100	TG00000037	O-RING
100-1	TG00000065	O RING
101	TG00000038	O-RING
102	TG00000048	O-RING
103	TG00000039	O-RING
104	TG00000040	U TYPE PIN
105	TG00000041	OIL SEAL
106	TG00000042	PACKING
107	TG00000043	H.S.H.BOLT
108	TG00000044	O-RING
109	TG00000024	O-RING
110	TG00000046	O-RING
111	TG00000045	HEX BOLT
112	TG00000047	O-RING
113	TG00000047	O-RING
114	TG00000037	O-RING
115	TG00000015	O-RING 7.5
116	TG00000053	O-RING 11X2.65
117	TG00000039	O-RING
118	TG00000046	O-RING
119	TG00000054	O-RING 9X1.8
120	TG00000054	O-RING 9X1.8
A01	197842-2	TRIGGER GUN SET
A02	197886-2	FOAM NOZZLE SET
A02-1	197886-2	FOAM NOZZLE SET
A02-2	1912Y2-5	FOAM NOZZLE SET
A03	197876-5	VARIOSPRAY LANCE SET
A03-1	197822-8	VARIABLE NOZZLE SET
A04	197824-4	CYCLONE JET NOZZLE SET
A05	197810-5	CONNECTOR SET
C10	197883-8	ONE TOUCH JOINT SET
C20	197881-2	ABSORPTION CONNECTOR SET
C30	123660-2	CLEANING PIN
C31	197879-9	CLEANER PIN SET
E01	807E85-5	SOUND 92DB LABEL
F04	197831-7	ROTATING BRUSH SET

F05-1	197837-5	PIPE CLEANING HOSE 10M SET
F06-1	197840-6	PIPE CLEANING HOSE 15M SET
F08	197845-6	EXTENDED HIGH P. HOSE 5M SET
F09	197847-2	EXTENDED HIGH P. HOSE 8M SET
F10	197850-3	EXTENDED HIGH P. HOSE 10M SET
F11	197853-7	ACCESSORY JOINT SET
F12	197859-5	UNDER BODY SPRAY LANCE SET
F15	197870-7	EXTENSION PIPE SET
F22	198909-9	UNDER BODY SPRAY LANCE SET
F23	191U86-2	VARIO SPRAY NOZZLE SET
F24	191U88-8	VARIO SPRAY LANCE SET
F27	1912Y2-5	FOAM NOZZLE SET